

Crown & Bridge

Ceramic & Metal Etching Kit



Met-Etch is used to etch the surface of a metal restoration so that the composite may be successfully bonded to it. Oral Met-Etch is useful in repairing fractured bridges where large areas of metals are exposed. It can also be used for etching the wings of Maryland Bridges prior to the application of composite. Oral Met-Etch will not etch porcelain and certain alloys.

Ceram-Etch is a 95% hydrofluoric acid gel used to etch porcelain so that composite may be successfully bonded to it. This gel may be used for the following: repairing fractured porcelain intra-orally, etching all porcelain restorations chair side, or etching porcelain crowns prior to orthodontic bracket bonding. Ceram-Etch will not etch metal.

	Order #
Ceramic Etching Kit	67.401
Ceramic/Metal Etching Kit	67.410

Replica Alginate



Unsurpassed reliability and accuracy. High tear strength. Easy to prepare, only takes seconds to clean up. Rapid wetting for super smooth consistency. Available in standard or dustless formulation in either normal (2-3 min.) or fast (1-2 min.) sets. Three patient-pleasing flavours: Cherry, Mint or Bubblegum. Supplied in 10 lb. kits.

DUSTLESS FORMULATION		STANDARD FORMULATION	
Order #		Order #	
NORMAL SET		NORMAL SET	
Cherry	50.202	Cherry	50.302
Mint	50.212	Mint	50.312
Bubblegum	50.222	Bubblegum	50.322
FAST SET		FAST SET	
Cherry	50.207	Cherry	50.307
Mint	50.217	Mint	50.317
Bubblegum	50.227	Bubblegum	50.327

* Dustless formulation must be mixed more thoroughly than standard alginate to obtain a smooth consistency.

Matrix Buttons



Temporary Crown Matrix Buttons

The Perfect Choice for Quick, Accurate Temporaries

- No more alginate!
- NEW improved button design with increased surface area.
- Quick, accurate temporaries in as little as 20 seconds!
- Create perfect, hard-yet-flexible plastic moulds for making temporary crowns or bridges.
- Simply soften temporary crown matrix button and form it over tooth (or teeth) prior to preparation. Prepare the tooth, fill the matrix with temporary material of choice and press down over the preparation.

	Order #
72 Temporary Crown Matrix Buttons	43.521
Separating Medium 15 ml.	43.529
Hot Water Bath	43.535

Hemaseal & Cide Desensitizer



Totally Eliminates Bonding Sensitivity

- 110% guaranteed! Soft tissue friendly.
- Eliminates pressure and temperature problems previously experienced with bonding.
- 4% Chlorhexidine combined with Hema and H₂O.
- Attracted to tooth surface and infuses the bond zone.
- Compatible with all dentin adhesives.
- Increases bond strength up to 33% (Studies available).

	Order #
Hemaseal & Cide Desensitizer	27.051

Kromopan 100 Alginate



Material changes colour signalling when to carry out each stage of the procedure. Stable hydrocolloid class A alginate.

	Order #
1 lb. Canister	43.800
1 lb. Refill Bag	43.801

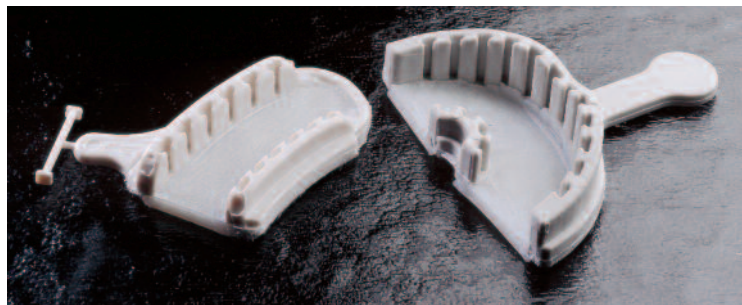
Crown & Bridge (Continued)

Occlusal Harmony

Closed – Bite Impression

Convenience of disposable trays & stability of metal trays

	Order #
Posterior Trays/Box All Quadrants (20)	43.519
Posterior Trays/Box UR/LL (24)	43.526
Posterior Trays/Box UL/LR (24)	43.528
Anterior Trays/Box (20)	43.520
Separating Medium 15 ml	43.529



Bond Buddies

- Keeps rubber dam away from restoration area.
- Helps prevent handpiece from nicking rubber dam.
- Reduces moisture contamination around bonding site.

	Order #
Bond Buddies (Pkg. of 50)	27.013

The Border-Lock TRAYS

For ease of use in the operatory, the BORDER-LOCK program includes two convenience storage kits. The kits are used to display the eight individual upper tray sizes and eight lower tray sizes. A measuring caliper and size chart are included in each storage kit. Refill boxes contain ten trays of a particular size.

	Order #
Upper Trays (Box of 8)	07.200
Lower Trays (Box of 8)	07.201
Refills (10 pack)	Various

8 Upper Trays



8 Lower Trays

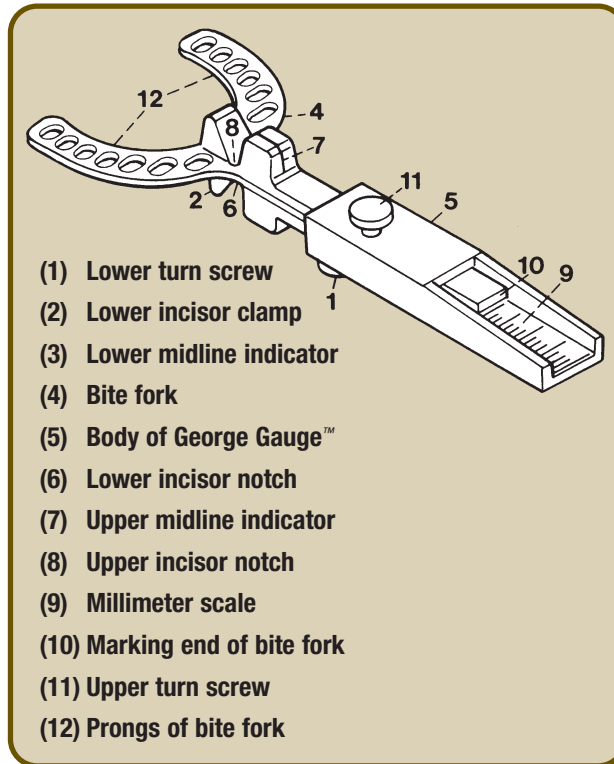


ADVANTAGES OF THE NEW BORDER-LOCK TRAY PROGRAM

- Uses 40% less impression material reducing costs
- Superior impression resulting in fewer remakes
- Greater stability rivaling that of metal trays
- No cleaning required saving valuable time
- Use of expensive metal trays is eliminated
- Easily modified for a custom fit
- Excellent mechanical retention

The George Gauge™

*At Last: Replaces the Guesswork in Construction Bites
with a Quick, Simple, Accurate, Technique*



USEFUL IN ALL TECHNIQUES

Whether you register on

- **incisors** (end-to-end, or a number of millimeters ahead or behind),
- **centric** (or a number of millimeters ahead)
- **protrusive** (or a number of millimeters behind), or
- **protrusive range**, you will do it easier, quicker and more accurately with a George Gauge™.

BETTER APPLIANCES FOR YOUR PATIENTS

The George Gauge will enable you to confidently record the construction bite position in the treatment chart of each patient.

Regardless of your present degree of sophistication and skill you will experience more consistent success when using a George Gauge™.

Note: The George Gauge is Patent Pending,
and a Trade Name of Dr. Peter T. George,
Honolulu, Hawaii © Copyright and
All Rights Reserved, 1991.

	Order #
Gauge	616.012
Bite Fork 2mm Grey (25/pk)	616.013
Bite Fork 5mm White (25/pk)	616.014